

**STERLING BEST SEALED<sup>®</sup>  
INSULATED HVAC  
REGISTER BOXES**



**Sealed Air**   
Product Care

# HVAC DUCT SEALING IS PRETTY IMPORTANT!

# 20%

In a typical house about 20% of the air that moves through the duct systems is lost due to **leaks, holes, and poorly connected ducts.**

Source:



## BENEFITS OF IMPROVED HVAC DUCTING:

### COMFORT

Stuffy rooms? Rooms too hot or too cold? You probably have leaking ducts!

### AIR QUALITY

Allergies? Asthma? Sealed ducts reduce the introduction of pollutants into your home!

### SAVE MONEY

High energy bills? Leaking ducts significantly reduce the efficiency of your HVAC system

### ENVIRONMENT

Reducing energy consumption at home reduces power plant emissions and helps to fight global warming!

# HVAC DUCT SEALING SAVES HOMEOWNERS MONEY!



**\$ 300  
PER YEAR**

The amount of money that a homeowner could be **saving in energy bills** with properly sealed and insulated HVAC ducting.

Source: Pacific Northwest National Laboratory/U.S. Department of Energy Study

A California Energy Commission study showed that the average cost of improving duct sealing and upgrading to R-8 insulation on your HVAC system is approximately \$500.

**<2 YEAR**

**RETURN ON INVESTMENT**

# SBS® REGISTER BOX CHECKS ALL THE BOXES!



## ENERGY SAVING

Rigid PUR Insulation creates an **airtight** box and can be configured to provide R-6 or R-8 insulation.



## FIBER FREE

Elimination of fiberglass insulation from the airstream improves air quality.



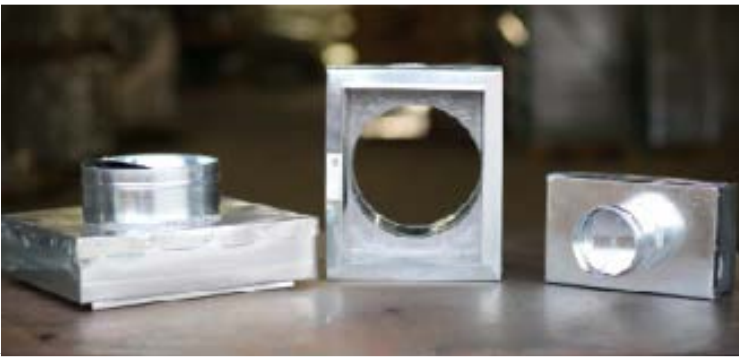
## CODE APPROVED

Meets building code requirements for flame spread, smoke development and thermal insulation.



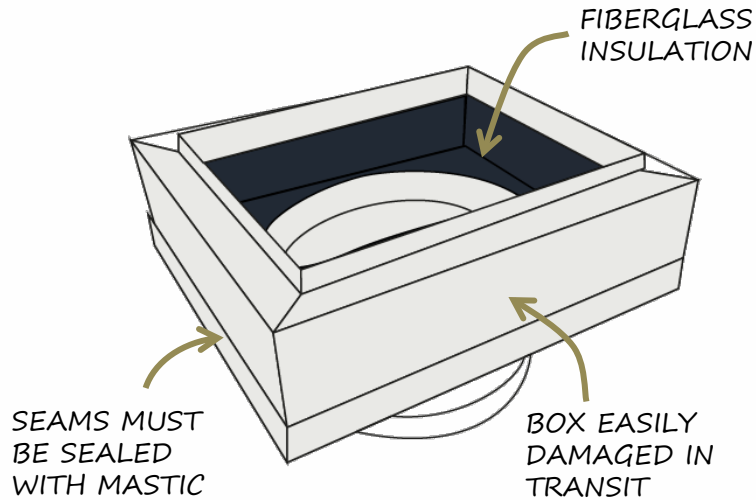
## SAVES MONEY

Patented design reduces installation cost and saves the homeowner on energy costs.

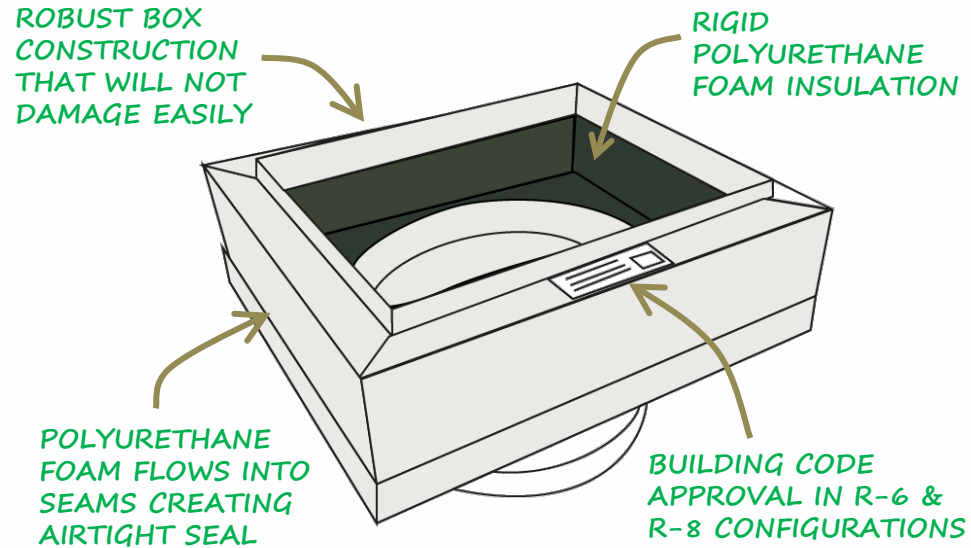


# HVAC REGISTER BOXES: DIFFERENTIATED FEATURES THAT PROS LOVE

## TYPICAL INSULATED REGISTER BOXES TODAY

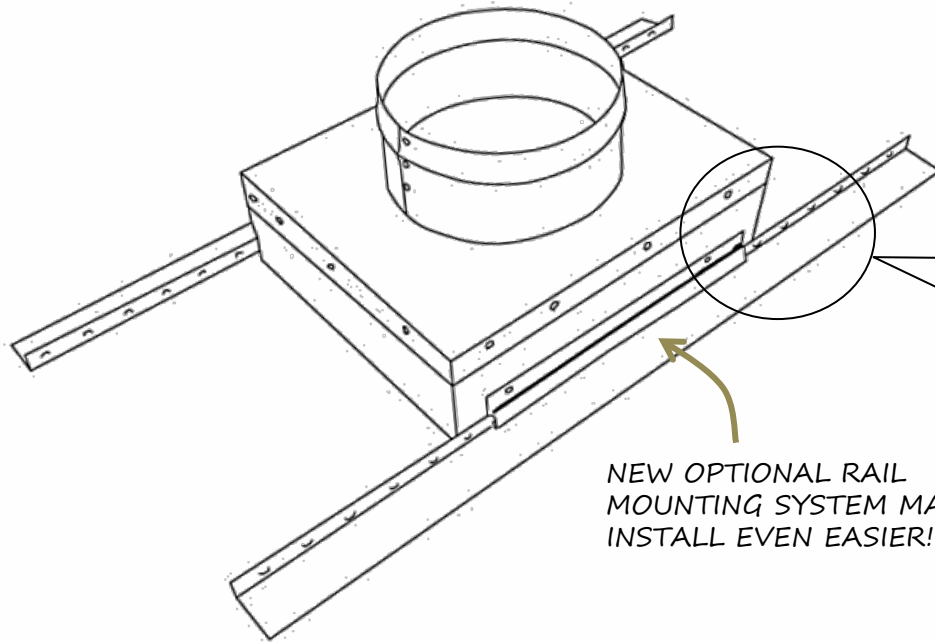


## IMPROVED INSULATED REGISTER BOXES

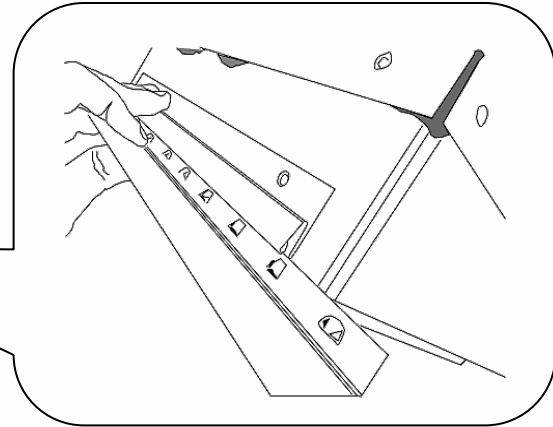


# HVAC REGISTER BOXES: DIFFERENTIATED FEATURES THAT PROS LOVE

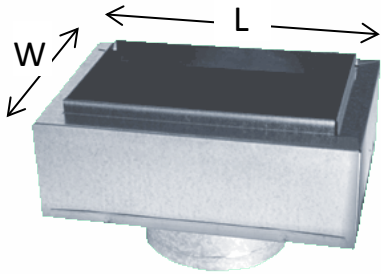
## RAIL MOUNTING SYSTEM



*NEW OPTIONAL RAIL  
MOUNTING SYSTEM MAKES  
INSTALL EVEN EASIER!*



# INSULATED REGISTER BOX FEATURES



LENGTH (L)	WIDTH (W)	COLLAR DIAMETERS AVAILABLE						
		4 in	5in	6in	7in	8in	9in	10in
8in	4in	★	x					
10in	6in			x				
10in	8in		x	★	x	★	x	
12in	6in			x				
12in	12in			x	x	x	x	x
14in	8in						x	

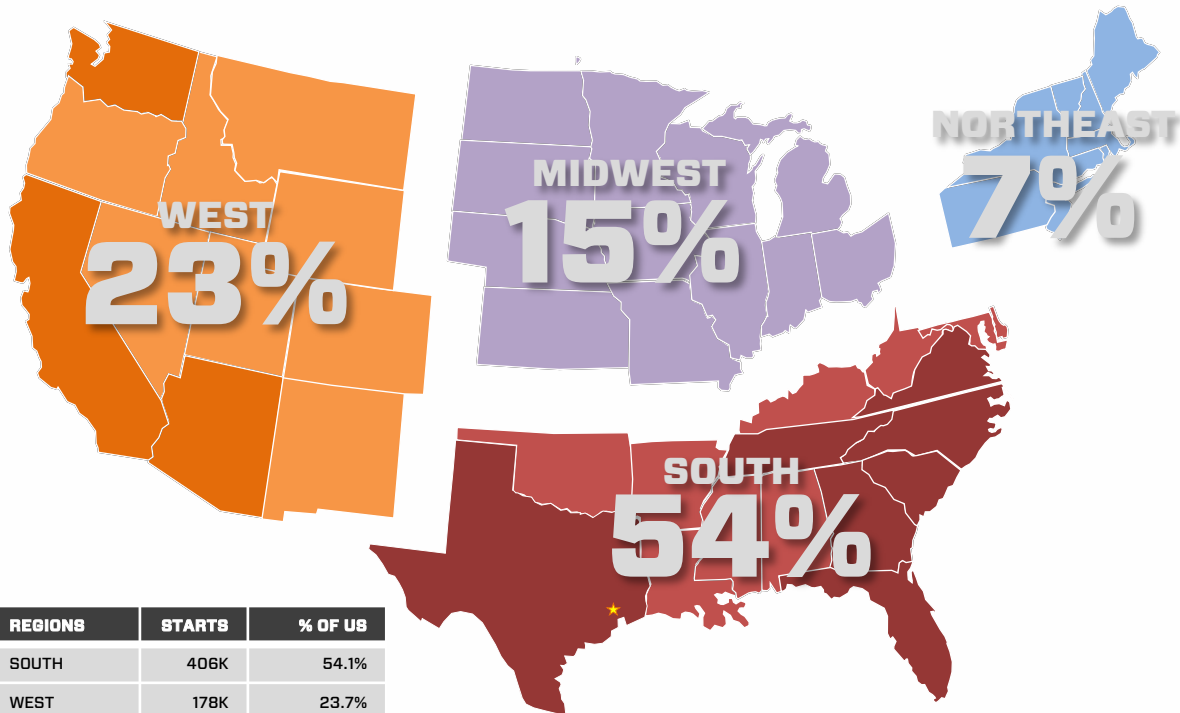
★ Highest volume sellers

## Key features:

- ✓ Building code approved for Type V Construction per [IAPMO UES ER-0448](#)
- ✓ Pre-insulated and sealed – no need to wrap with fiberglass or apply mastic to box seams
- ✓ Boxes come configured with either R-6 or R-8 insulation
- ✓ Insulation is fiber-free!
- ✓ Made of zinc-coated 30GA galvanized steel
- ✓ Also available with no collars or with side mounted collars
- ✓ Patent pending box design has pre-punched nail holes on inner flange for easier install
- ✓ Robust construction that prevents damage in shipment or during installation process



# HVAC REGISTER BOXES: WHERE WE BELIEVE YOU WILL SEE BEST SUCCESS



# 32%

of privately owned single family homes completed in 2016 were built by homebuilders

SOURCE: HOME BUILDER COMPLETIONS RANKINGS